



## International Journal of Advanced Research in Electrical, Electronics and Instrumentation Engineering

(An ISO 3297: 2007 Certified Organization)

Vol. 3, Issue 3, March 2014

# Universal Asynchronous Receiver / Transmitter (UART) Design for Hand Held Mobile Devices

A.Geetha

Dept of ETE, Bharath University, Chennai, Tamil Nadu, India

**ABSTRACT:** A Universal Asynchronous Receiver / Transmitter (UART) is responsible for performing the main task in serial communications with computers. Advanced Peripheral Bus (APB) is an interface defines in the advanced Microcontroller Bus Architecture (AMBA), which was introduced by ARM ltd and widely used as on-chip bus in system on-chip (Soc) designs. After coding the design, students will be required to develop verification plan describing verification strategy for the design. This is followed by verification environment development and simulation of design. Once design is cleared through functional verification students will develop synthesis strategy document. Afterwards synthesis scripts will be coded and design will be synthesizes on 45nm technology and timing checks will be performed. Synthesis report with final working frequency, gate count and chip area will be published. Project is targeted towards very low power handheld devices with operating voltage of 0.7-0.9V. Low power clock gating strategies will be developed and applied. Target operating frequency is 100 MHz and silicon area under 0.01 sq mm. Different optimization experiments will be conducted to ascertain best area to frequency trade off. Students will gain experience in developing architecture from given specification. Students will be exposed to developing micro architecture and describing it in VerilogHDL.

**KEYWORDS:** UART, ARM, APB, AMBA, Verilog HDL

### 1. INTRODUCTION

UART stands for "Universal Asynchronous Receiver/Transmitter". It is the chip (on the modem circuit board on internal modems, and on the motherboard for external COM ports) that allows the CPU to share data with the serial device (modem) by converting parallel data format into a serial data stream to be sent over the phone lines as an analog signal. It then receives analog signals in a serial stream and converts them to parallel data to communicate back to the CPU. The Universal Asynchronous Receiver/Transmitter (UART) controller is the key component of the serial communications subsystem of a computer. The UART takes bytes of data and transmits the individual bits in a sequential fashion. At the destination, a second UART re-assembles the bits into complete bytes. Many chips provide UART functionality in silicon, and low-cost chips exist to convert logic level signals (such as TTL voltages) to RS-232 level signals (for example, Maxim's MAX232). A universal asynchronous receiver/transmitter (UART) is a type of "asynchronous receiver / transmitter", a piece of computer hardware that translates data between parallel and serial forms. A UART is usually an individual (or part of an) integrated circuit used for serial communications over a computer or peripheral device serial port. UARTs are now commonly included in microcontrollers.

# International Journal of Advanced Research in Electrical, Electronics and Instrumentation Engineering

(An ISO 3297: 2007 Certified Organization)

Vol. 3, Issue 3, March 2014

## II. BLOCK DIAGRAMS

### 2.1 Block diagram of UART

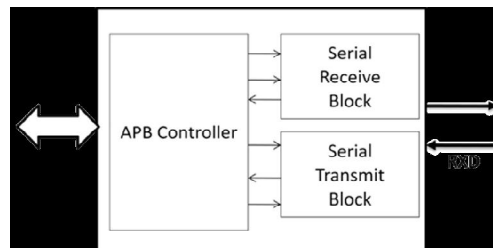


Figure 2.1 Basic UART block diagram.

### 2.2 Block diagram of APB Interface

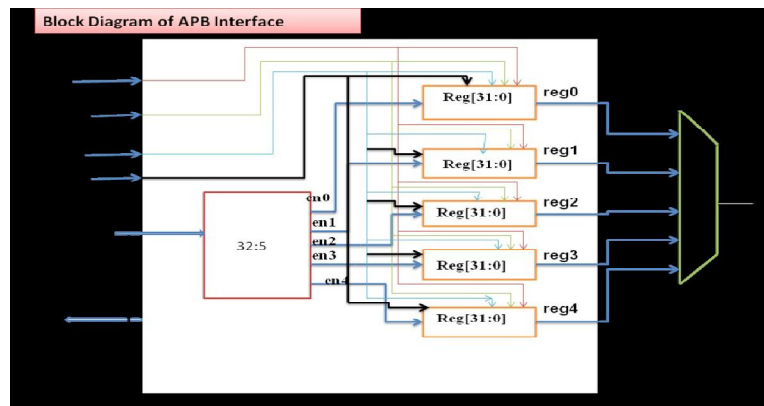


Figure 2.2 Basic UART block diagram

## III. CONCLUSION

The increasing number of electronic devices and networked embedded systems in automotive applications results in high complexity in fault diagnosis and testing process. An automotive network diagnostic system using a knowledge-based technique is proposed. The system monitors and diagnoses automotive networks. The network fault codes and possible causes are then stored in the fault database for manufacturing and service purposes. In the experimental stage, a communication network set-up is conveniently accomplished by CAN bus simulation tools. To obtain a dependable knowledge base, several diagnostic information sources have been considered in building the knowledge base of the system. The Black Box system built can be implemented in any vehicle. As soon as the driver runs the motor, this system will begin saving the events of the corresponding vehicle. The last 21 seconds are always saved in the EEPROM of the Black Box, and in case of an accident, an additional 10 seconds of events after this accident will be saved.

## REFERENCES

- [1] N. Navet et al., "Trends in Automotive Communication Systems", Proceeding of the IEEE, Vol. 93, No.6, June 2005, pp.1204-1223.



ISSN (Print) : 2320 – 3765  
ISSN (Online): 2278 – 8875

# International Journal of Advanced Research in Electrical, Electronics and Instrumentation Engineering

*(An ISO 3297: 2007 Certified Organization)*

**Vol. 3, Issue 3, March 2014**

- [2] G. Leen and D. Heffernan, "Digital Networks in Automotive Vehicle", Computer and Control Engineering Journal, 1999, pp. 257-266.
- [3] J. Leohold, "Communication Requirement for Automotive Systems", 5t Workshop on Factory Communication Systems, 2004.
- [4] T. Gerke and C. Schanze, "Development and Verification of In-Vehicle Networks in a Virtual Environment", 2005 SAE World Congress, Detroit, Michigan, 2005.
- [5] W. Lawrenz, CAN System Engineering: From Theory to Practical Applications, Springer-Verlag, New York, 1997.